

2

1

Table of contents:

- 2. PA
- 3. Controller
- 4. LPF

History of changes:

Rev 3.0

- added external control interface
- added 6m band LPF
- changed RX bypass
- added Q1 SMD thermo sensor

Rev 3.1

- U12-14 -3 & 4 pin swapped
- U10 replaced by BA00CC0WFP-E2
- R58 replaced by 10K
- R65 replaced by 3.3K
- X9 mirrored
- L7-L10 replaced by T68 coil ring

B

B

A

A

TITLE

ErmakPA-II

SIZE

DWG NO

REV

A

3.1

DRAWN BY

Sidorofff

SCALE

SHEET

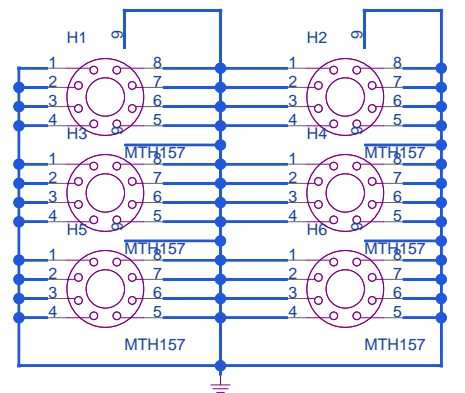
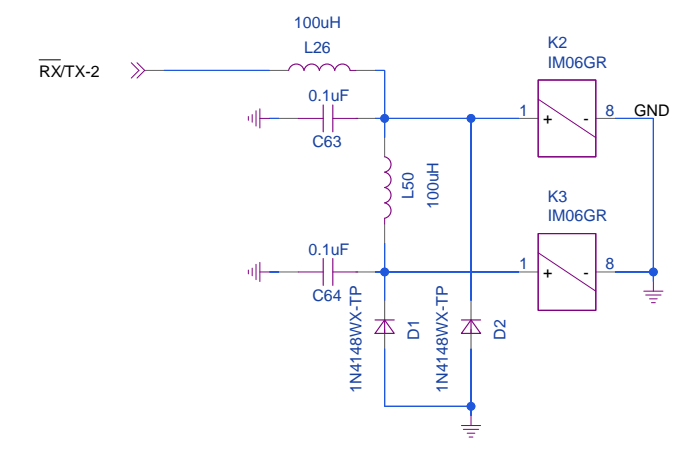
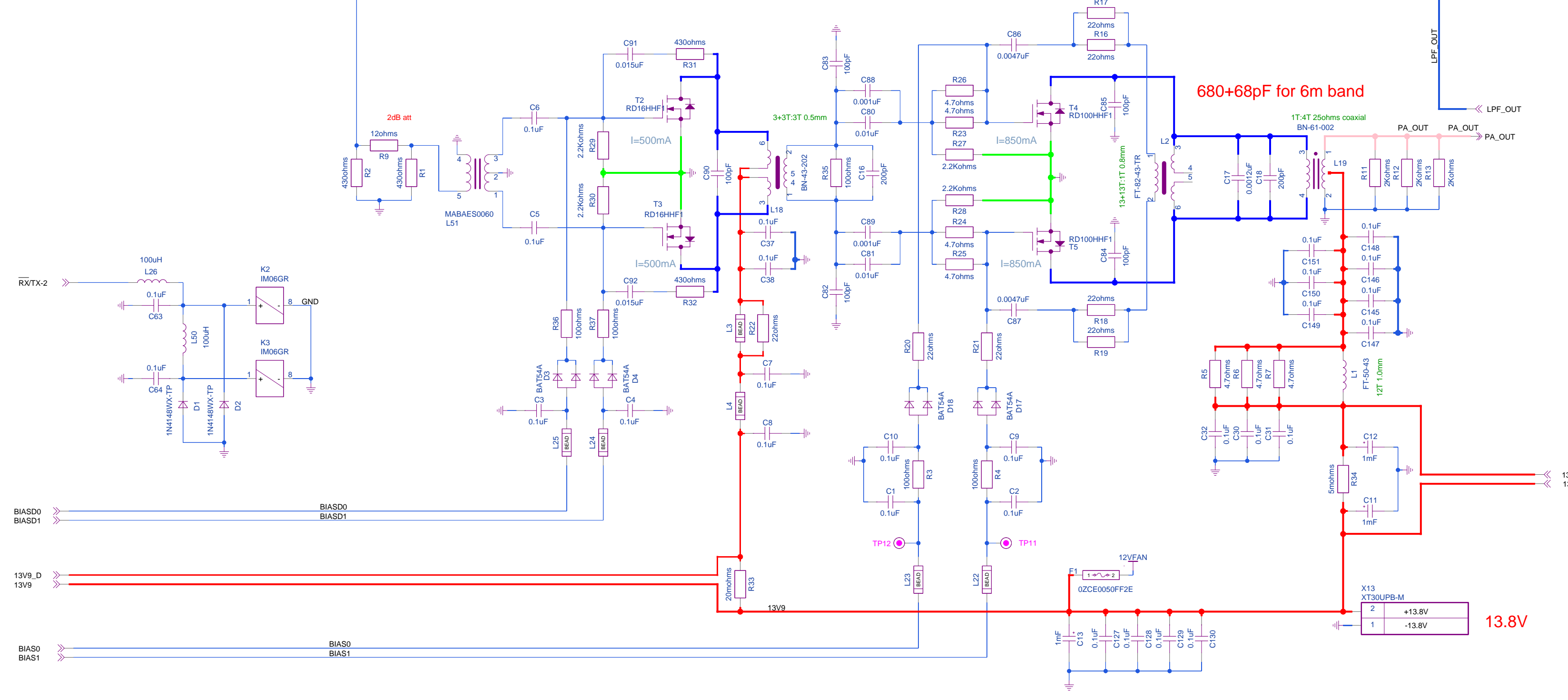
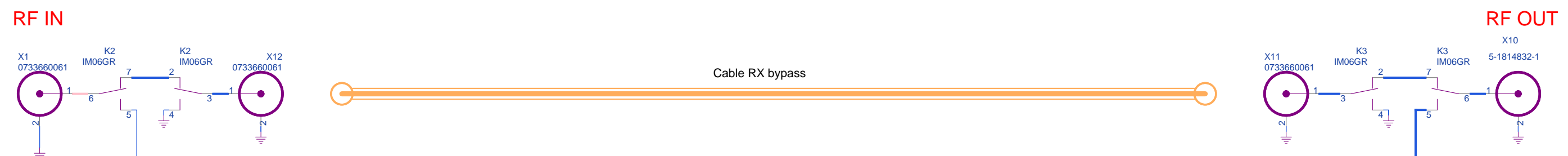
of

Table of contents

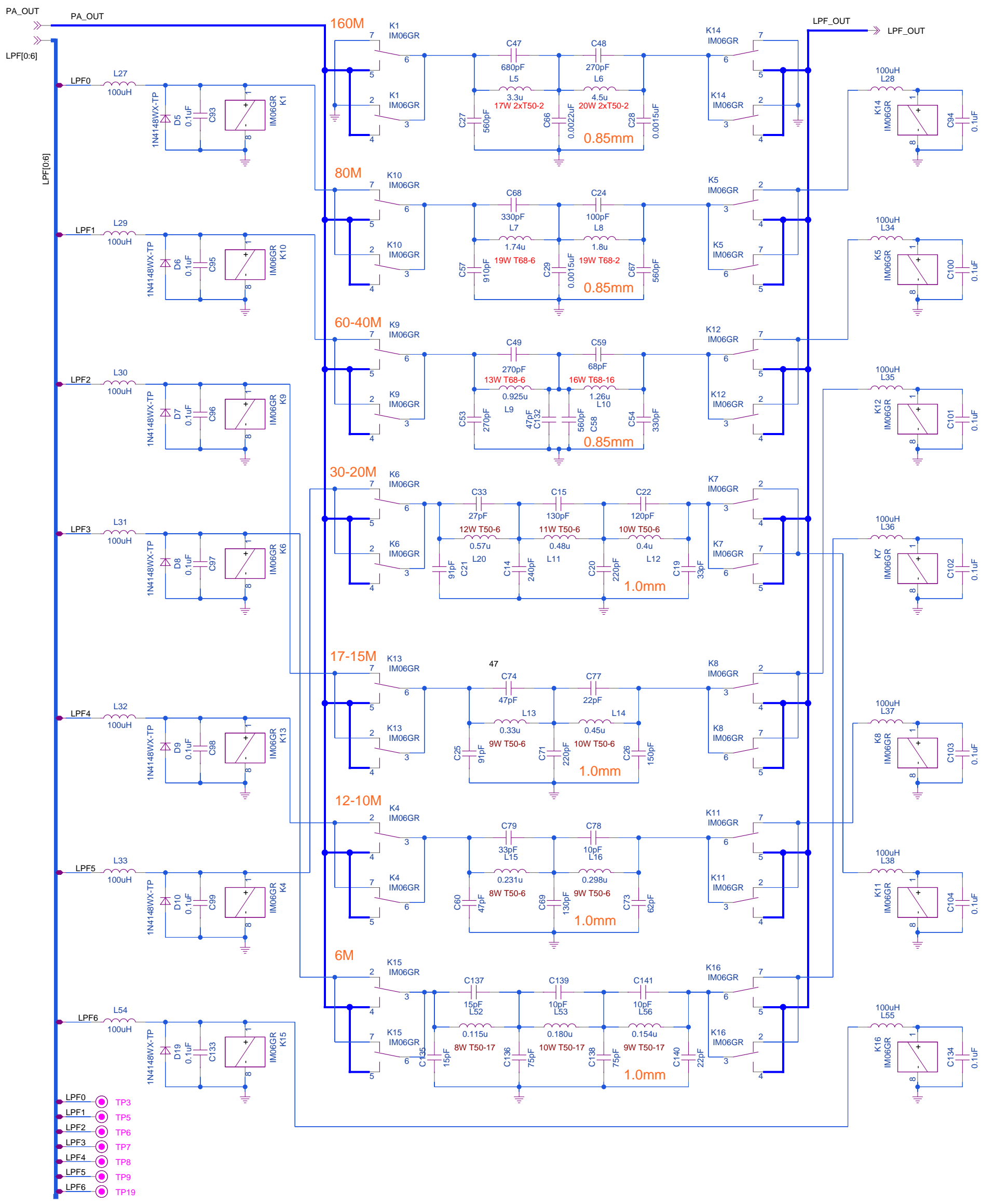
31/10/2021:16:20

2

1



PA		Variant:	
TITLE ErmakPA-II			
SIZE C	DWG NO	REV 3.1	
SCALE	SHEET 2	of 2	
DATE 09/11/2021:16:51			



- LPF0 TP3
- LPF1 TP5
- LPF2 TP6
- LPF3 TP7
- LPF4 TP8
- LPF5 TP9
- LPF6 TP19

LPF

ErmakPA-II

SIZE	DWG NO	REV
B		3.1
SCALE	SHEET 4 of 4	31/10/2021:19:50

DRAWN BY Sidorofff